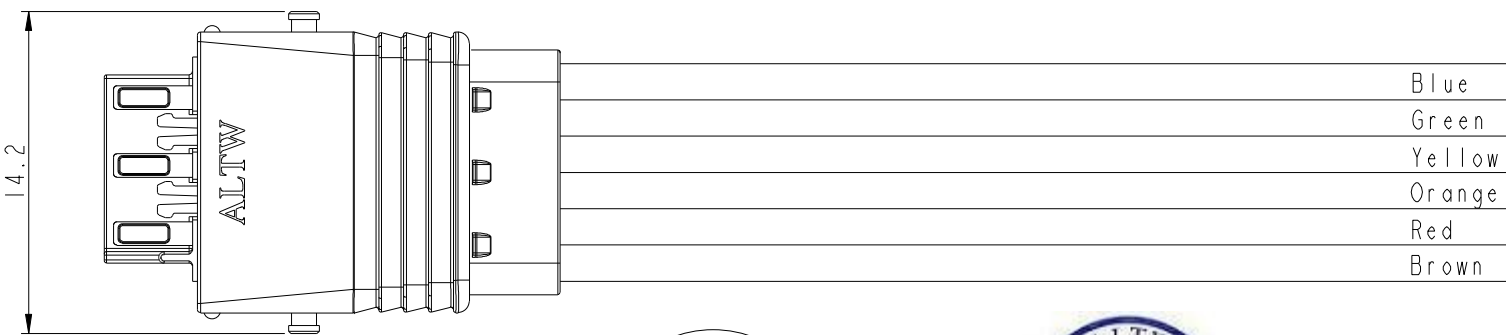
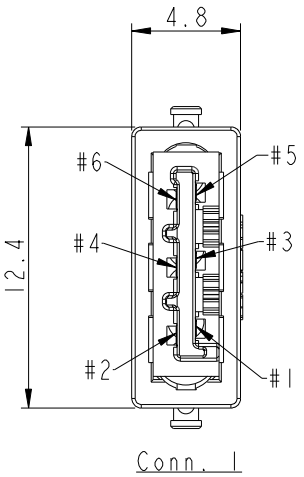
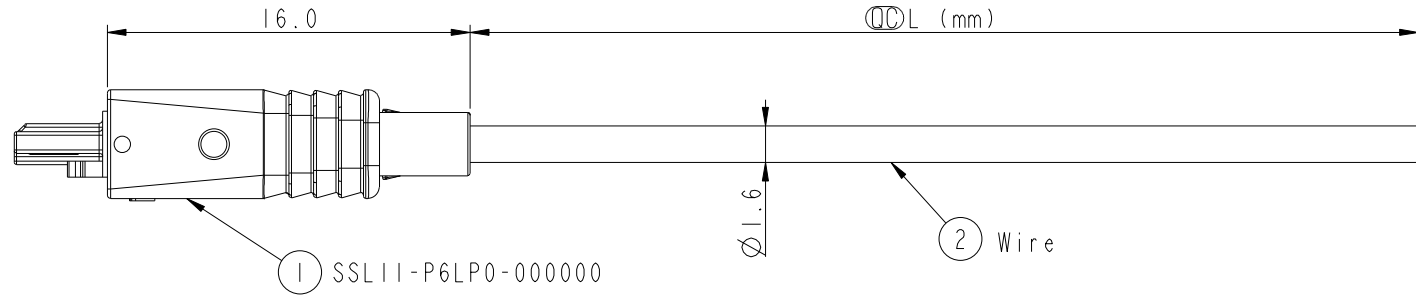


THIS DOCUMENT IS SUBJECT TO CHANGE WITHOUT NOTICE. IT IS CONFIDENTIAL AND A PROPERTY OF Amphenol LTW. DISCLOSURE TO THIRD PARTY HAS TO BE AUTHORIZED BY Amphenol LTW.

REV.	ECN NO.	DATE	SIGN	DESCRIPTION
A	Initial Release	2014-02-11	Fisher	Initial Release



6	Blue	藍
5	Green	綠
4	Yellow	黃
3	Orange	橙
2	Red	紅
1	Brown	棕
Conn. 1	Wire Color	

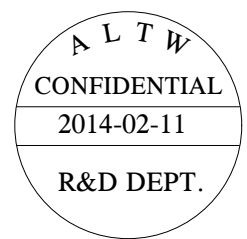
Pin Out

SSL11-P6LP0-022AXX

01: L=100±20 mm.  
 02: L=200±20 mm.  
 04: L=400±25 mm.  
 Standard Length is 400mm  
 Wire Length Range(L): 100~9900mm

22: 22AWG

LOCK&LATCH OPTION  
 0: W/O LOCK



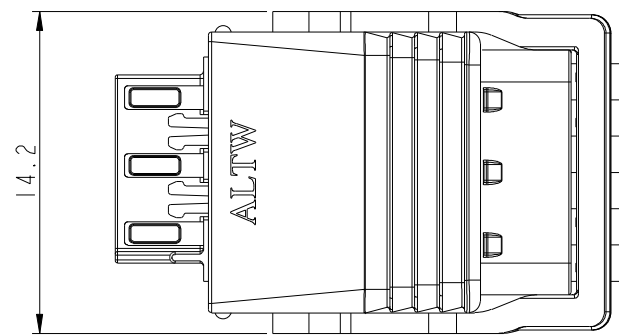
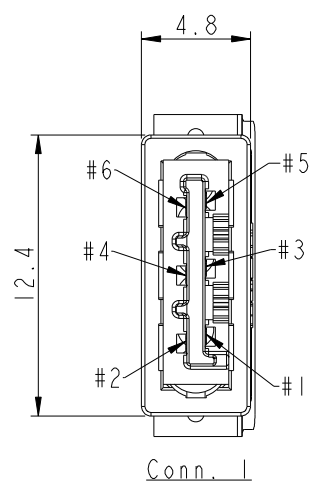
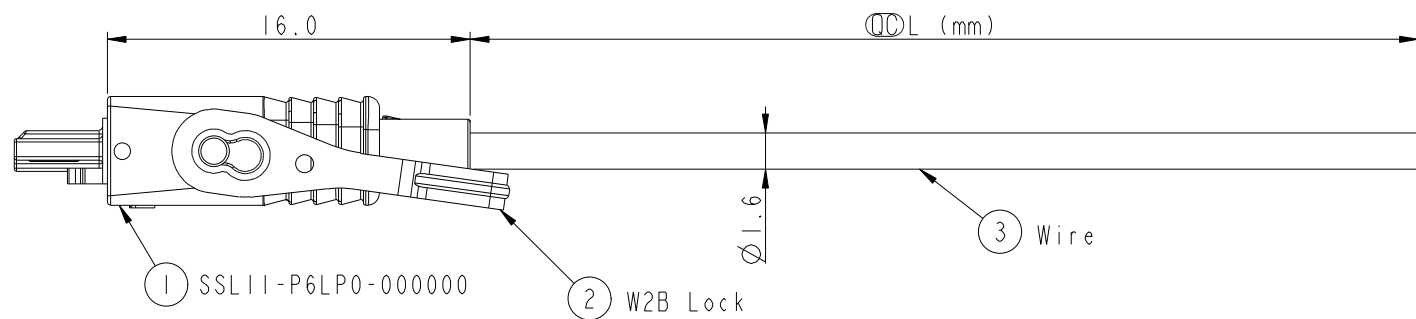
Notes:

- \* (QC) Important Dimensions To Check.
- \* Housing: Thermoplastic, UL94V-0, Natural White.
- \* Terminal: Copper Alloy, Gold Plated.
- \* Hood: Thermoplastic, UL94V-0, Natural White.
- \* SR Mold: PP, UL94V-0, Natural White.
- \* Wire: UL1430 22AWG, Brown/Red/Orange/Yellow/Green/Blue.
- \* Wire Length Tolerance: ±5%mm.

UNIT:mm		TITLE	SSL11 WIRE ASS'Y, W/O LOCK 6-POS, PLUG TO OPEN		<h2 style="margin: 0;">Amphenol LTW</h2> <p style="margin: 0;">安費諾亮泰企業股份有限公司</p>	ITEM NO	DRAWN BY	DATE								
		SCALE	3:1	SIZE		A4	SHEET	1	OF	1	DWG NO	SSL11-P6LP0-022AXX	CHECKED BY	Ivan_Lin	DATE	2014-02-11
		REV.	A	WC-REV.		A.2	(QC): Inspection item	CUSTOMER	ALTW	APPROVED BY	Kevin_Hu	DATE	2014-02-11			

THIS DOCUMENT IS SUBJECT TO CHANGE WITHOUT NOTICE. IT IS CONFIDENTIAL AND A PROPERTY OF Amphenol LTW. DISCLOSURE TO THIRD PARTY HAS TO BE AUTHORIZED BY Amphenol LTW.

REV.	ECN NO.	DATE	SIGN	DESCRIPTION
A	Initial Release	2014-02-11	Fisher	Initial Release



**ALTW**  
 CONFIDENTIAL  
 2014-02-11  
 R&D DEPT.

**ALTW**  
 DCC. DEPT.  
 CONFIDENTIAL  
 2014.02.13  
 ISSUED

Blue
Green
Yellow
Orange
Red
Brown

6	Blue	藍
5	Green	綠
4	Yellow	黃
3	Orange	橙
2	Red	紅
1	Brown	棕
Conn. 1	Wire Color	
Pin Out		

SSLII-P6LP0-B22AXX

01: L=100±20 mm.  
 02: L=200±20 mm.  
 04: L=400±25 mm.  
 Standard Length is 400mm  
 Wire Length Range(L): 100~9900mm  
 22: 22AWG  
 LOCK&LATCH OPTION  
 B: WITH W2B LOCK

Notes:

- \*  $\varnothing$  Important Dimensions To Check.
- \* Housing: Thermoplastic, UL94V-0, Natural White.
- \* Terminal: Copper Alloy, Gold Plated.
- \* Hood: Thermoplastic, UL94V-0, Natural White.
- \* SR Mold: PP, UL94V-0, Natural White.
- \* W2B Lock: Thermoplastic, UL94V-0, Natural White.
- \* Wire: UL1430 22AWG, Brown/Red/Orange/Yellow/Green/Blue.
- \* Wire Length Tolerance: ±5%mm.

UNIT:mm		TITLE SSLII.1 WIRE ASS'Y, WITH W2B LOCK 6-POS, PLUG TO OPEN		<h1 style="text-align: center;">Amphenol LTW</h1> <h2 style="text-align: center;">安費諾亮泰企業股份有限公司</h2>		ITEM NO	DRAWN BY	DATE
		SCALE 3:1	SIZE A4			SHEET 1	OF 1	DWG NO SSLII-P6LP0-B22AXX
TOLERANCE .X ±0.25 .XX ±0.1 .XXX ±0.05 ANGLES ±1°		REV. A	WC-REV. A.9	QC: Inspection item		CUSTOMER ALTW	APPROVED BY Kevin_Hu	DATE 2014-02-11